

DESCRIPTION

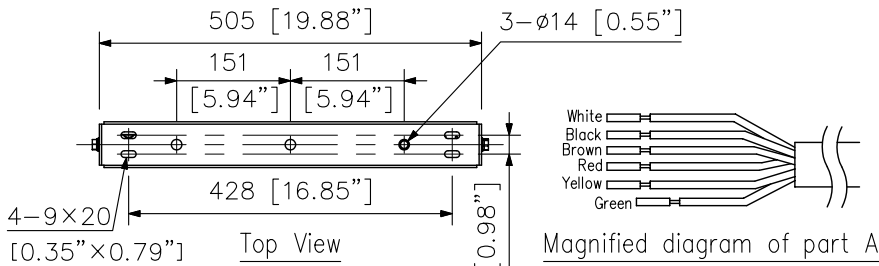
The Plane Wave Speaker features a flat speaker system equipped with plane wave units, realizing a narrow directivity pattern by radiating plane wave sound. Since the Plane Wave Speaker can deliver sound output toward a limited target area, it is suited for use in locations such as station platforms and escalator areas that require information announcements to be broadcast, and in such spaces as museums and art galleries where the reverberation time is long. A single-sided radiation type radiates sound forward only.

SPECIFICATIONS

Type of Radiation	Single-sided radiation
Rated Input	30 W
Rated Impedance	High impedance 100 V line: 330 Ω (30 W), 670 Ω (15 W), 1 kΩ (10 W), 2 kΩ (5 W) High impedance 70 V line: 170 Ω (30 W), 330 Ω (15 W), 670 Ω (7.5 W), 1 kΩ (5 W), 2 kΩ (2.5 W)
Sensitivity	87 dB (1 W, 1 m equivalent measured at 4 m, 1 - 10 kHz) 87 dB (1 W, measured at 1 m, 1 - 10 kHz) (Beam tilting: FLAT, High pass filter: OFF)
Frequency Response	450 Hz - 17.5 kHz (Beam tilting: FLAT, High pass filter: OFF)
Directivity Angle	Horizontal: 38° (2 kHz, 1/3 octave band), Vertical: 75° (2 kHz, 1/3 octave band)
Speaker Unit	Plane wave unit (152 × 214 mm (5.98" × 8.43")) × 2
Setting Switch	Beam tilting (radiation direction) FLAT: 0° downward/DOWNWARD: 5° downward High pass filter (450 Hz, -12 dB/oct) : OFF/ON
Speaker Cord	ø9 mm (0.35"), 6-core cabtyre cable, 2 m (6.56 ft)
Water Protection	IPX4
Operating Temperature	-10 °C to +50 °C (14 °F to 122 °F)
Finish	Enclosure, Punched net, and Mounting bracket: Stainless, black, semi-gloss, paint
Dimensions	524 (W) × 355 (H) × 60 (D) mm (20.63" × 13.98" × 2.36") (including mounting bracket)
Weight	7.8 kg (17.2 lb) (including mounting bracket)

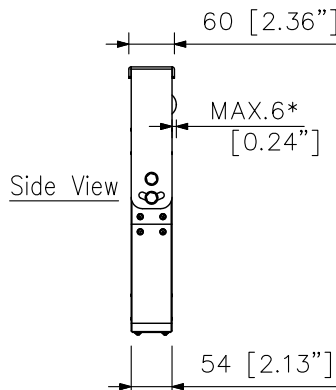
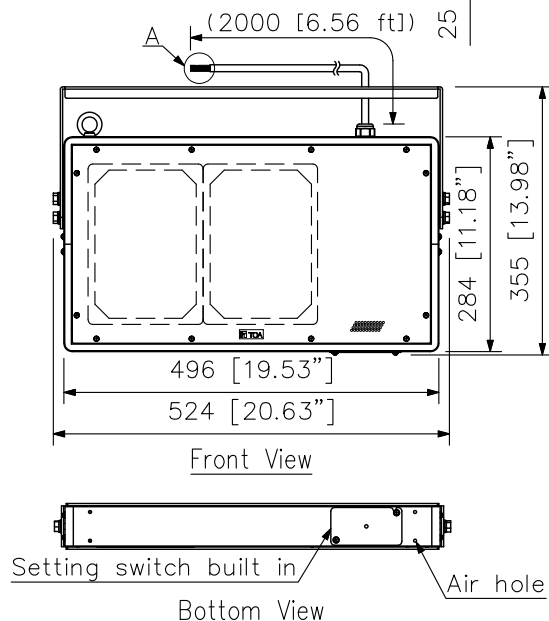
Note: Do not install the unit where it is likely to be corroded in such places as indoor pools, bathrooms, or seaside.

APPEARANCE

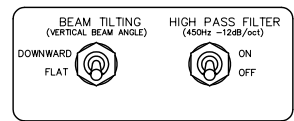


COLOR		INP.	100 V LINE	70 V LINE
WHT	GRN	170 Ω	30 W	30 W
	BLK	330 Ω	30 W	15 W
	BRN	670 Ω	15 W	7.5 W
	RED	1 kΩ	10 W	5 W
	YEL	2 kΩ	5 W	2.5 W

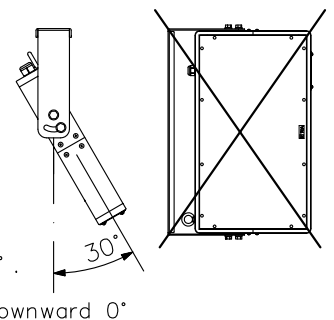
* The green lead is for high impedance 70 V line use only. Never use it on high impedance 100 V line since the amplifier or speaker itself may be damaged.



* Dimension when the eyebolt is maximally projected



(Factory-preset wiring)
Setting Switch



* Install the speaker within a downward tilt angle of up to 30°. Do not install vertically.

UNIT:mm SCALE:1/10

Note: Numerical values in parentheses are for reference only.